

B & G
Lock & Tool Co. Ltd



B & G Lock & Tool Co. Ltd.

The business was founded in 1945 by the brothers Alan and Stanley Bickley together with their partner Thomas Goodall and in 1952 was formed into a limited company when the premises in Chapel Green were acquired.

The company remained family owned until 2001 when the whole of the share capital was bought by the directors of Guardian Lock & Engineering Co. Ltd. Continuing the long established traditions of the firm, the range of brass padlocks shown in this catalogue is entirely British made at the Chapel Green works under the trade names STA-LOK, STA-SECURE and B & G. The company operates a quality system of assessed capability to BS EN ISO 9001 and all products are manufactured in accordance with this scheme.

Special Products:

In addition to the standard range of padlocks produced B & G provide specialist services to provide customers with 'bespoke' products which include colour coding and engraving of numbers, letters and even company logos if required.

If required we can also provide master keying and shackle clearances to suit individual applications.



contents

page

Introduction	2
C100 & variants STA-LOK pin tumbler padlocks	3
C125 & variants STA-LOK pin tumbler padlocks	4
C150 & variants STA-LOK pin tumbler padlocks	5
C200 & variants STA-LOK pin tumbler padlocks	6
C250 & variants STA-LOK pin tumbler padlocks	7
C300 & variants STA-LOK pin tumbler padlocks	8
C500 & variants STA-SECURE pin tumbler padlocks	9
A100 & variants B & G warded padlocks	10
D101 & variants B & G warded padlocks	11
D102 & variants B & G warded padlocks	12
D103 & variants B & G warded padlocks	13
D104 & variants B & G warded padlocks	14
Master Keying	15
High security & combination padlocks	16
Associated security products	17
Colour coded padlocks	18
Padlocks with chains	18
Non-standard shackles	18



C100 & variants STA-LOK pin tumbler padlocks

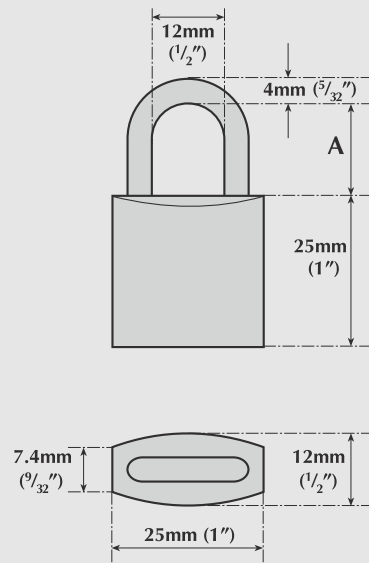


- Action:** Single locking shackle, spring opening and closing
- Body:** Brass. Finished polished and lacquered. May be colour coded to special order. Also available with 3mm x 21mm link chain finished zinc plated and attached by stirrup. Other sizes and finishes of chain available.
- Mechanism:** Four pin tumbler.
- Keys:** Brass. Two supplied.
- Differs:** Standard 600. May be supplied to differ or keyed alike to pass the same key.
- Master Keying:** Not available.

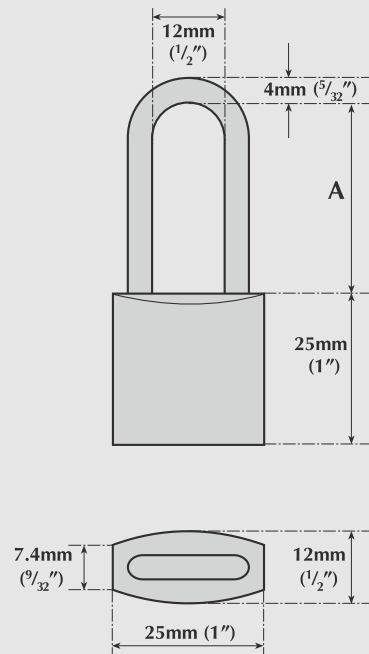
REF:	Size	Shackle Material	Vertical Shackle Clearance (A)
C100 ▲	25mm (1")	Hardened Steel (ZP)	15mm (5/8")
C100LS ●	25mm (1")	Steel (ZP)	25mm (1")
C100LS ●	25mm (1")	Steel (ZP)	32mm (1 1/4")
C100LS ●	25mm (1")	Steel (ZP)	38mm (1 1/2")
C100LS ●▲	25mm (1")	Steel (ZP)	51mm (2")
C100BS ▲	25mm (1")	Brass	15mm (5/8")
C100LBS ●	25mm (1")	Brass	25mm (1")
C100LBS ●	25mm (1")	Brass	32mm (1 1/4")
C100LBS ●	25mm (1")	Brass	38mm (1 1/2")
C100LBS ●▲	25mm (1")	Brass	51mm (2")

▲ Denotes standard item ● Please specify shackle clearance. Other shackle clearances manufactured to suit individual requirements. Please enquire. (ZP) — Zinc Plated.

C100 C100BS

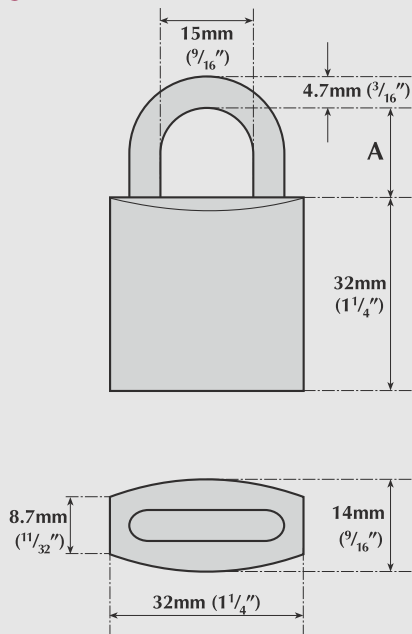


C100LS C100LBS

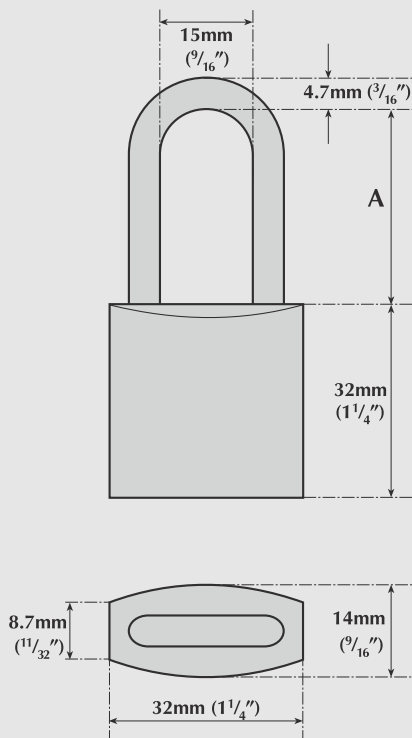


C125 & variants STA-LOK pin tumbler padlocks

C125 C125BS



C125LS C125LBS



- Action:** Single locking shackle, spring opening and closing
- Body:** Brass. Finished lished and lacquered. May be colour coded to special order. Also available with 3mm x 21mm link chain finished zinc plated and attached by stirrup. Other sizes and finishes of chain available.
- Mechanism:** Five pin tumbler
- Keys:** Brass. Two supplied.
- Differs:** Standard 3500. May be supplied to differ or keyed alike to pass the same key.
- Master Keying:** May be supplied to differ in suites to be operated by their own individual servant keys and by an overriding master key . (suffix pattern numbers MD)

REF:	Size	Shackle Material	Vertical Shackle Clearance (A)
C125 ▲	32mm (1 1/4")	Hardened Steel (ZP)	15mm (5/8")
C125LS ●	32mm (1 1/4")	Steel (ZP)	25mm (1")
C125LS ●	32mm (1 1/4")	Steel (ZP)	32mm (1 1/4")
C125LS ●	32mm (1 1/4")	Steel (ZP)	38mm (1 1/2")
C125LS ●▲	32mm (1 1/4")	Steel (ZP)	51mm (2")
C125LS ●	32mm (1 1/4")	Steel (ZP)	64mm (2 1/2")
C125BS ▲	32mm (1 1/4")	Brass	15mm (5/8")
C125LBS ●	32mm (1 1/4")	Brass	25mm (1")
C125LBS ●	32mm (1 1/4")	Brass	32mm (1 1/4")
C125LBS ●	32mm (1 1/4")	Brass	38mm (1 1/2")
C125LBS ●▲	32mm (1 1/4")	Brass	51mm (2")
C125LBS ●	32mm (1 1/4")	Brass	64mm (2 1/2")

▲ Denotes standard item ● Please specify shackle clearance.
Other shackle clearances manufactured to suit individual requirements. Please enquire. (ZP) — Zinc Plated.



C150 & variants STA-LOK pin tumbler padlocks



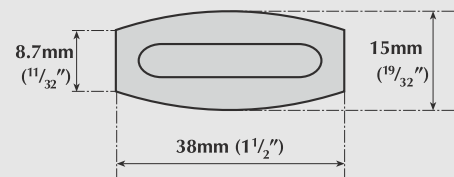
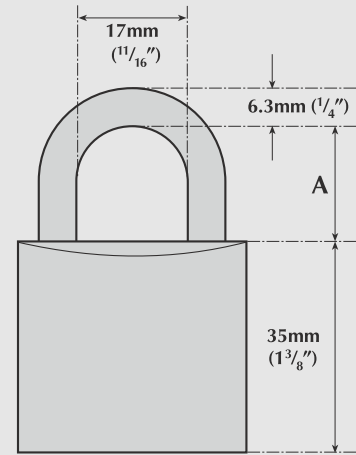
- Action:** Single locking shackle, spring opening and closing
- Body:** Brass. Finished lished and lacquered. May be colour coded to special order. Also available with 3mm x 21mm link chain finished zinc plated and attached by stirrup. Other sizes and finishes of chain available.
- Mechanism:** Five pin tumbler
- Keys:** Brass. Two supplied.
- Differs:** Standard 3500. May be supplied to differ or keyed alike to pass the same key.
- Master Keying:** May be supplied to differ in suites to be operated by their own individual servant keys and by an overriding master key . (suffix pattern numbers MD)

REF:	Size	Shackle Material	Vertical Shackle Clearance (A)
C150 ▲	38mm (1 1/2")	Hardened Steel (ZP)	19mm (3/4")
C150LS ●	38mm (1 1/2")	Steel (ZP)	25mm (1")
C150LS ●	38mm (1 1/2")	Steel (ZP)	32mm (1 1/4")
C150LS ●	38mm (1 1/2")	Steel (ZP)	38mm (1 1/2")
C150LS ●▲	38mm (1 1/2")	Steel (ZP)	51mm (2")
C150LS ●	38mm (1 1/2")	Steel (ZP)	64mm (2 1/2")
C150BS ▲	38mm (1 1/2")	Brass	19mm (3/4")
C150BS ●	38mm (1 1/2")	Brass	25mm (1")
C150BS ●	38mm (1 1/2")	Brass	32mm (1 1/4")
C150BS ●	38mm (1 1/2")	Brass	38mm (1 1/2")
C150BS ●▲	38mm (1 1/2")	Brass	51mm (2")
C150BS ●	38mm (1 1/2")	Brass	64mm (2 1/2")
C150BS ●	38mm (1 1/2")	Brass	70mm (2 3/4")

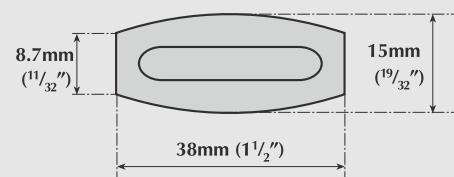
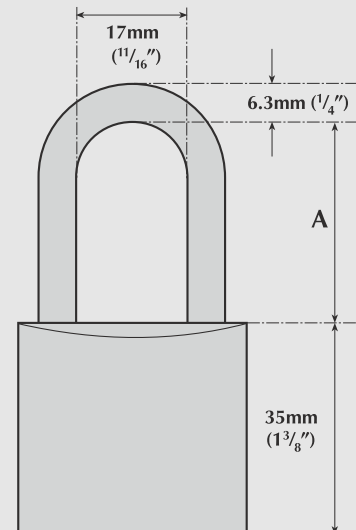
▲ Denotes standard item ● Please specify shackle clearance.
Other shackle clearances manufactured to suit individual requirements. Please enquire. (ZP) — Zinc Plated.



C150 C150BS

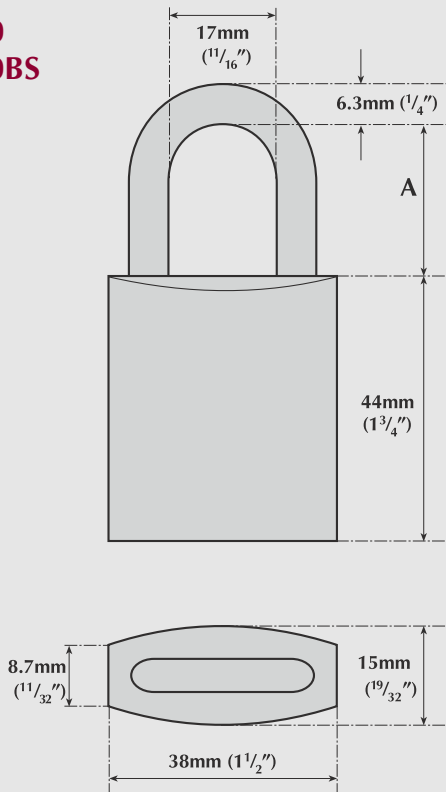


C150LS C150LBS

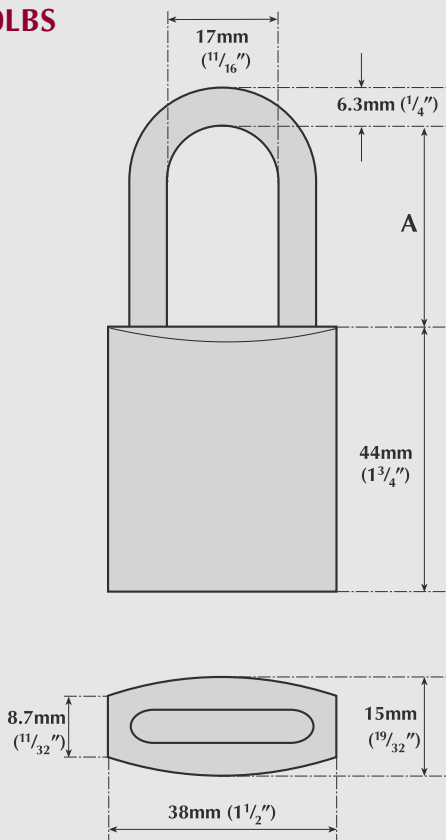


C200 & variants STA-LOK pin tumbler padlocks

C200 C200BS



C200LS C200LBS



- Action:** Single locking shackle, spring opening and closing
- Body:** Brass. Finished polished and lacquered. May be colour coded to special order. Also available with 3mm x 21mm link chain finished zinc plated and attached by stirrup. Other sizes and finishes of chain available.
- Mechanism:** Five pin tumbler
- Keys:** Nickel silver. Two supplied.
- Differs:** Standard 3000. May be supplied to differ or keyed alike to pass the same key.
- Master Keying:** May be supplied to differ in suites to be operated by their own individual servant keys and by an overriding master key . (suffix pattern numbers MD)

REF:	Size	Shackle Material	Vertical Shackle Clearance (A)
C200 ▲	38mm (1 1/2")	Hardened Steel (ZP)	25mm (1")
C200LS ●	38mm (1 1/2")	Steel (ZP)	32mm (1 1/4")
C200LS ●	38mm (1 1/2")	Steel (ZP)	38mm (1 1/2")
C200LS ●	38mm (1 1/2")	Steel (ZP)	51mm (2")
C200LS ●▲	38mm (1 1/2")	Steel (ZP)	64mm (2 1/2")
C200BS ▲	38mm (1 1/2")	Brass	25mm (1")
C200LBS ●	38mm (1 1/2")	Brass	32mm (1 1/4")
C200LBS ●	38mm (1 1/2")	Brass	38mm (1 1/2")
C200LBS ●	38mm (1 1/2")	Brass	51mm (2")
C200LBS ●▲	38mm (1 1/2")	Brass	64mm (2 1/2")

▲ Denotes standard item ● Please specify shackle clearance.

Other shackle clearances manufactured to suit individual requirements. Please enquire. (ZP) — Zinc Plated.



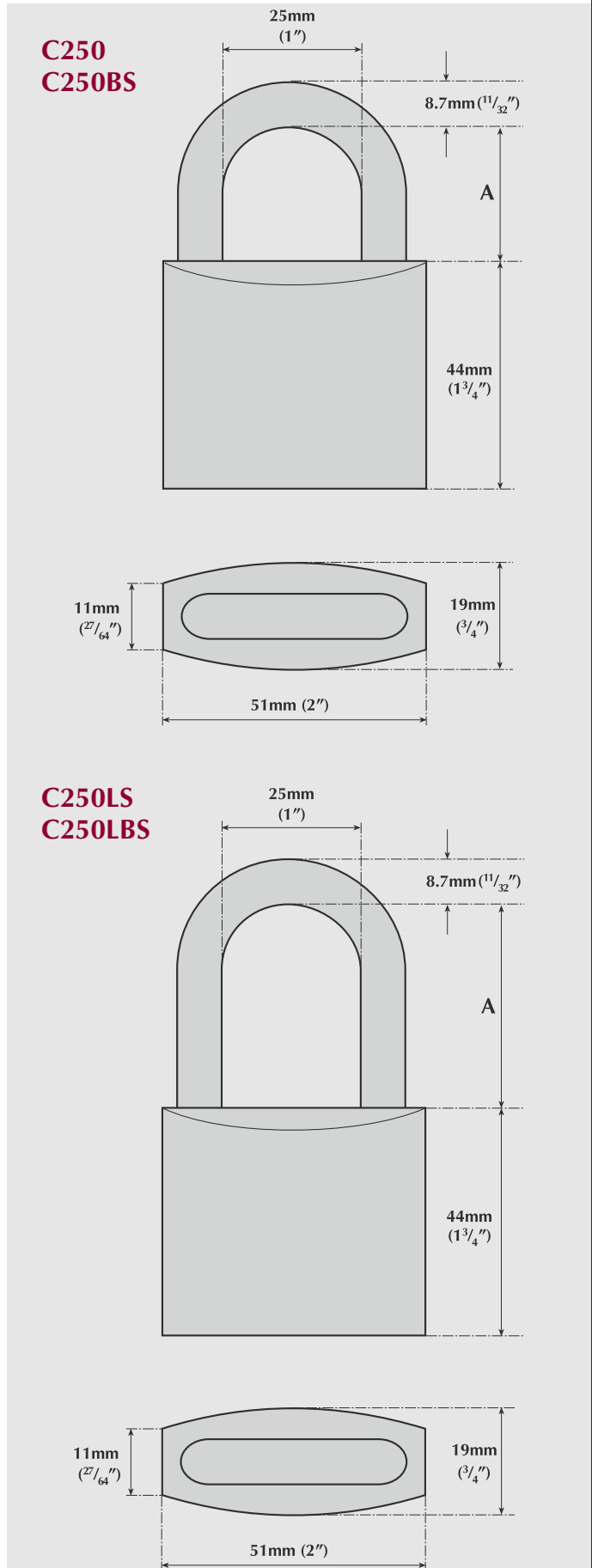
C250 & variants STA-LOK pin tumbler padlocks



- Action:** Single locking shackle, spring opening and closing
- Body:** Brass. Finished polished and lacquered. May be colour coded to special order. Also available with 3mm x 21mm link chain finished zinc plated and attached by stirrup. Other sizes and finishes of chain available.
- Mechanism:** Five pin tumbler
- Keys:** Nickel silver. Two supplied.
- Differs:** Standard 3000. May be supplied to differ or keyed alike to pass the same key.
- Master Keying:** May be supplied to differ in suites to be operated by their own individual servant keys and by an overriding master key . (suffix pattern numbers MD)

REF:	Size	Shackle Material	Vertical Shackle Clearance (A)
C250 ▲	51mm (2")	Hardened Steel (CH)	25mm (1")
C250LS ●	51mm (2")	Steel (CH)	32mm (1 1/4")
C250LS ●	51mm (2")	Steel (CH)	41mm (1 5/8")
C250LS ●	51mm (2")	Steel (CH)	51mm (2")
C250LS ●▲	51mm (2")	Steel (CH)	64mm (2 1/2")
C250LS ●	51mm (2")	Steel (CH)	75mm (3")
C250LS ●	51mm (2")	Steel (CH)	100mm (4")
C250BS ▲	51mm (2")	Brass	25mm (1")
C250LBS ●	51mm (2")	Brass	32mm (1 1/4")
C250LBS ●	51mm (2")	Brass	38mm (1 1/2")
C250LBS ●	51mm (2")	Brass	51mm (2")
C250LBS ●▲	51mm (2")	Brass	64mm (2 1/2")

▲ Denotes standard item ● Please specify shackle clearance. Other shackle clearances manufactured to suit individual requirements. Please enquire. (ZP) — Zinc Plated.

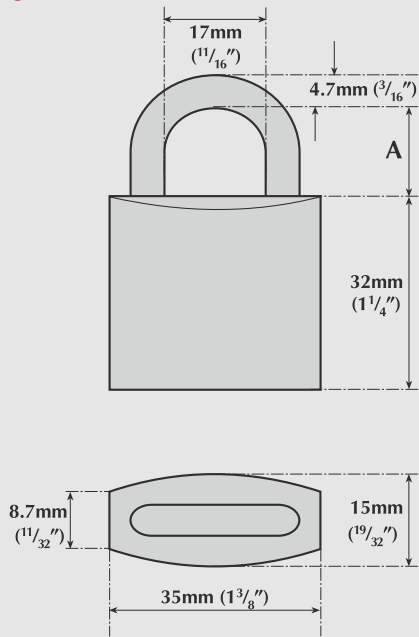


C250 STA-LOK PIN TUMBLER PADLOCKS

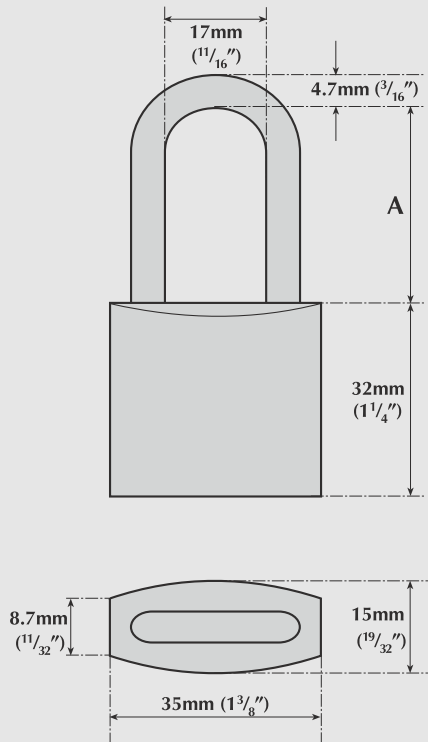


C300 & variants STA-LOK pin tumbler padlocks

C300 C300BS



C300LS C300LBS



- Action:** Single locking shackle, spring opening and closing
- Body:** Brass. Finished polished and lacquered. May be colour coded to special order. Also available with 3mm x 21mm link chain finished zinc plated and attached by stirrup. Other sizes and finishes of chain available.
- Mechanism:** Five pin tumbler.
- Keys:** Brass. Two supplied.
- Differs:** Standard 3500. May be supplied to differ or keyed alike to pass the same key.
- Master Keying:** May be supplied to differ in suites to be operated by their own individual servant keys and by an overriding master key. (suffix pattern numbers MD)

REF:	Size	Shackle Material	Vertical Shackle Clearance (A)
C300 ▲	35mm (1 3/8")	Hardened Steel (ZP)	28.5mm (1 1/8")
C300LS ●	35mm (1 3/8")	Steel (ZP)	32mm (1 1/4")
C300LS ●	35mm (1 3/8")	Steel (ZP)	38mm (1 1/2")
C300LS ●	35mm (1 3/8")	Steel (ZP)	51mm (2")
C300LS ●▲	35mm (1 3/8")	Steel (ZP)	64mm (2 1/2")
C300BS ▲	35mm (1 3/8")	Brass	28.5mm (1 1/8")
C300LBS ●	35mm (1 3/8")	Brass	32mm (1 1/4")
C300LBS ●	35mm (1 3/8")	Brass	38mm (1 1/2")
C300LBS ●	35mm (1 3/8")	Brass	51mm (2")
C300LBS ●▲	35mm (1 3/8")	Brass	64mm (2 1/2")

▲ Denotes standard item ● Please specify shackle clearance.

Other shackle clearances manufactured to suit individual requirements. Please enquire. (ZP) — Zinc Plated.



C500 & variants STA-SECURE pin tumbler padlocks

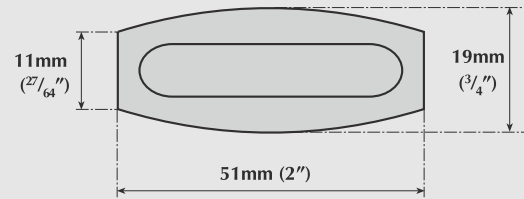
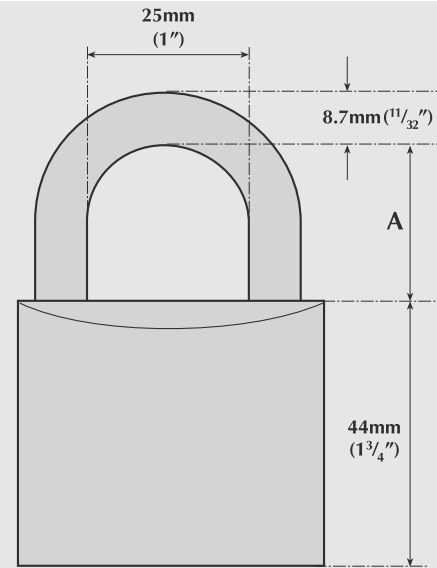


- Action:** Single locking shackle, spring opening and closing
- Body:** Brass. Finished polished and lacquered. May be colour coded to special order. Also available with 3mm x 21mm link chain finished zinc plated and attached by stirrup. Other sizes and finishes of chain available.
- Mechanism:** Five pin tumbler.
- Keys:** Nickel silver. Two supplied.
- Differs:** Standard 3500. May be supplied to differ or keyed alike to pass the same key.
- Master Keying:** May be supplied to differ in suites to be operated by their own individual servant keys and by an overriding master key . (suffix pattern numbers MD)

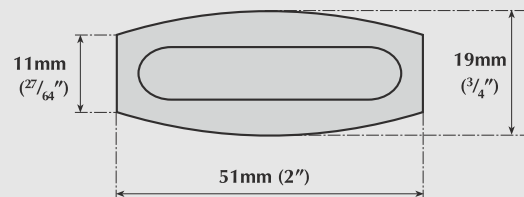
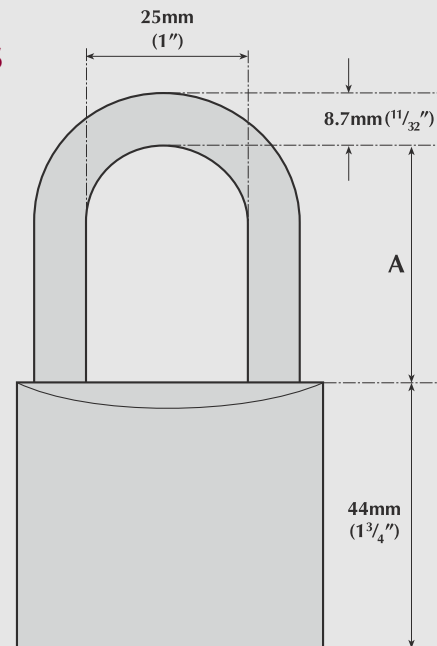
REF:	Size	Shackle Material	Vertical Shackle Clearance (A)
C500 ▲	51mm (2")	Hardened Steel (CH)	25mm (1")
C500LS ●	51mm (2")	Steel (CH)	32mm (1 1/4")
C500LS ●	51mm (2")	Steel (CH)	38mm (1 1/2")
C500LS ●	51mm (2")	Steel (CH)	51mm (2")
C500BS ▲	51mm (2")	Brass	25mm (1")
C500LBS ●	51mm (2")	Brass	32mm (1 1/4")
C500LBS ●	51mm (2")	Brass	38mm (1 1/2")
C500LBS ●▲	51mm (2")	Brass	51mm (2")

▲ Denotes standard item ● Please specify shackle clearance.
(CH) — Chrome Plated.

**C500
C500BS**

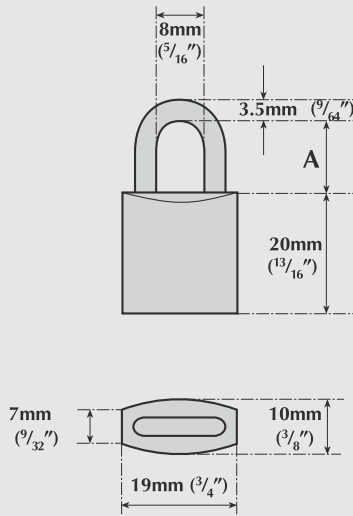


**C500LS
C500LBS**

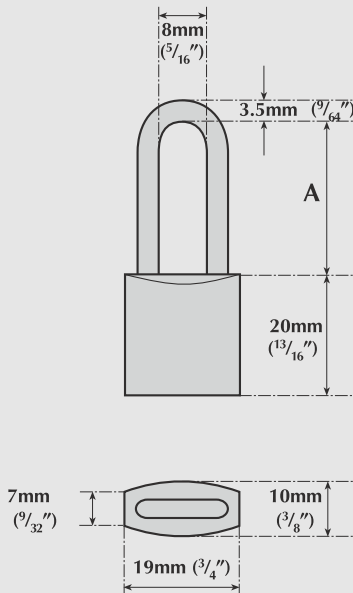


A100 & variants B & G warded padlocks

A100 A100BS



A100LS A100LBS



Action: Single locking shackle, spring opening and closing

Body: Brass. Finished finished. May be colour coded to special order.

Mechanism: Wards.

Keys: Steel, zinc plated. Two supplied.

Differs: Standard 6. May be supplied to differ or keyed alike to pass the same key.

Master Not available.

Keying:

REF:	Size	Shackle Material	Vertical Shackle Clearance (A)
A100 ▲	19mm (3/4")	Steel (ZP)	12mm (7/16")
A100LS ●▲	19mm (3/4")	Steel (ZP)	38mm (1 1/2")
A100BS ▲	19mm (3/4")	Brass	12mm (7/16")
A100LBS ●▲	19mm (3/4")	Brass	38mm (1 1/2")

▲ Denotes standard item ● Please specify shackle clearance. (ZP) — Zinc Plated.



D101 & variants B & G warded padlocks

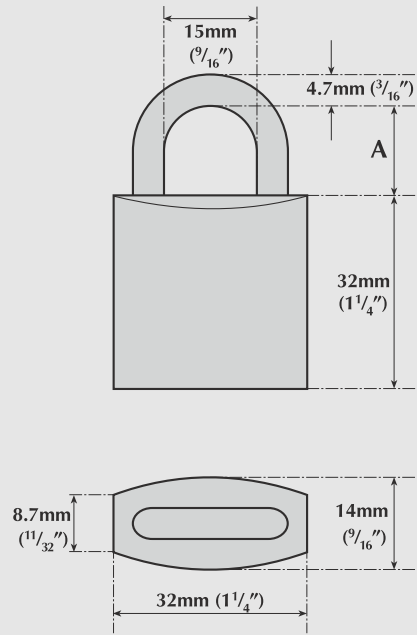


- Action:** Single locking shackle, spring opening and closing
- Body:** Brass. Finished polished and lacquered. May be colour coded to special order. Also available with 3mm x 21mm link chain finished zinc plated and attached by stirrup. Other sizes and finishes of chain available.
- Mechanism:** Wards.
- Keys:** Steel, zinc plated. Two supplied.
- Differs:** Standard 12. May be supplied to differ or keyed alike to pass the same key.
- Master Keying:** May be supplied to differ in suites to be operated by their own individual servant keys and by an overriding master key . (suffix pattern numbers MD)

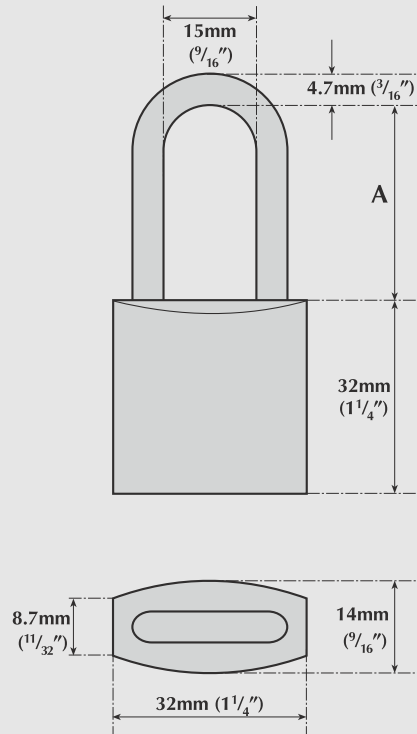
REF:	Size	Shackle Material	Vertical Shackle Clearance (A)
D101 ▲	32mm (1 1/4")	Steel (ZP)	15mm (5/8")
D101LS ●	32mm (1 1/4")	Steel (ZP)	25mm (1")
D101LS ●	32mm (1 1/4")	Steel (ZP)	32mm (1 1/4")
D101LS ●	32mm (1 1/4")	Steel (ZP)	38mm (1 1/2")
D101LS ●▲	32mm (1 1/4")	Steel (ZP)	51mm (2")
D101LS ●	32mm (1 1/4")	Steel (ZP)	64mm (2 1/2")
D101BS ▲	32mm (1 1/4")	Brass	15mm (5/8")
D101LBS ●	32mm (1 1/4")	Brass	25mm (1")
D101LBS ●	32mm (1 1/4")	Brass	32mm (1 1/4")
D101LBS ●	32mm (1 1/4")	Brass	38mm (1 1/2")
D101LBS ●▲	32mm (1 1/4")	Brass	51mm (2")
D101LBS ●	32mm (1 1/4")	Brass	64mm (2 1/2")

▲ Denotes standard item ● Please specify shackle clearance.
Other shackle clearances manufactured to suit individual requirements. Please enquire. (ZP) — Zinc Plated.

D101 D101BS

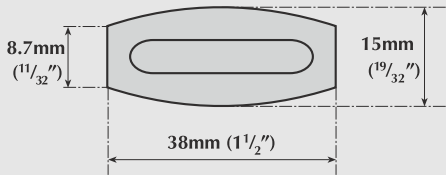
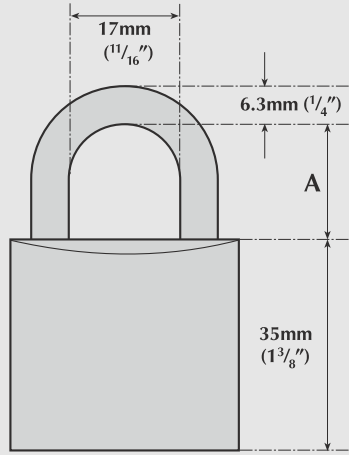


D101LS D101LBS

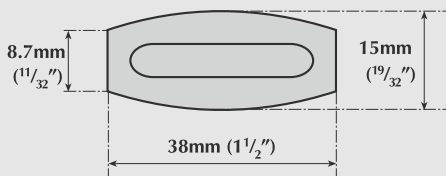
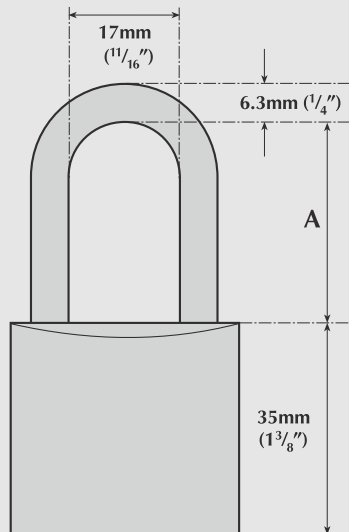


D102 & variants B & G warded padlocks

D102 D102BS



D102LS D102LBS



Action: Single locking shackle, spring opening and closing

Body: Brass. Finished lished and lacquered. May be colour coded to special order. Also available with 3mm x 21mm link chain finished zinc plated and attached by stirrup. Other sizes and finishes of chain available.

Mechanism: Wards.

Keys: Steel, zinc plated. Two supplied.

Differs: Standard 12. May be supplied to differ or keyed alike to pass the same key.

Master Keying: May be supplied to differ in suites to be operated by their own individual servant keys and by an overriding master key . (suffix pattern numbers MD)

REF:	Size	Shackle Material	Vertical Shackle Clearance (A)
D102 ▲	38mm (1 1/2")	Steel (ZP)	19mm (3/4")
D102LS ●	38mm (1 1/2")	Steel (ZP)	25mm (1")
D102LS ●	38mm (1 1/2")	Steel (ZP)	32mm (1 1/4")
D102LS ●	38mm (1 1/2")	Steel (ZP)	38mm (1 1/2")
D102LS ●▲	38mm (1 1/2")	Steel (ZP)	51mm (2")
D102LS ●	38mm (1 1/2")	Steel (ZP)	64mm (2 1/2")
D102BS ▲	38mm (1 1/2")	Brass	19mm (3/4")
D102LBS ●	38mm (1 1/2")	Brass	25mm (1")
D102LBS ●	38mm (1 1/2")	Brass	32mm (1 1/4")
D102LBS ●	38mm (1 1/2")	Brass	38mm (1 1/2")
D102LBS ●▲	38mm (1 1/2")	Brass	51mm (2")
D102LBS ●	38mm (1 1/2")	Brass	64mm (2 1/2")

▲ Denotes standard item ● Please specify shackle clearance.

Other shackle clearances manufactured to suit individual requirements. Please enquire. (ZP) — Zinc Plated.



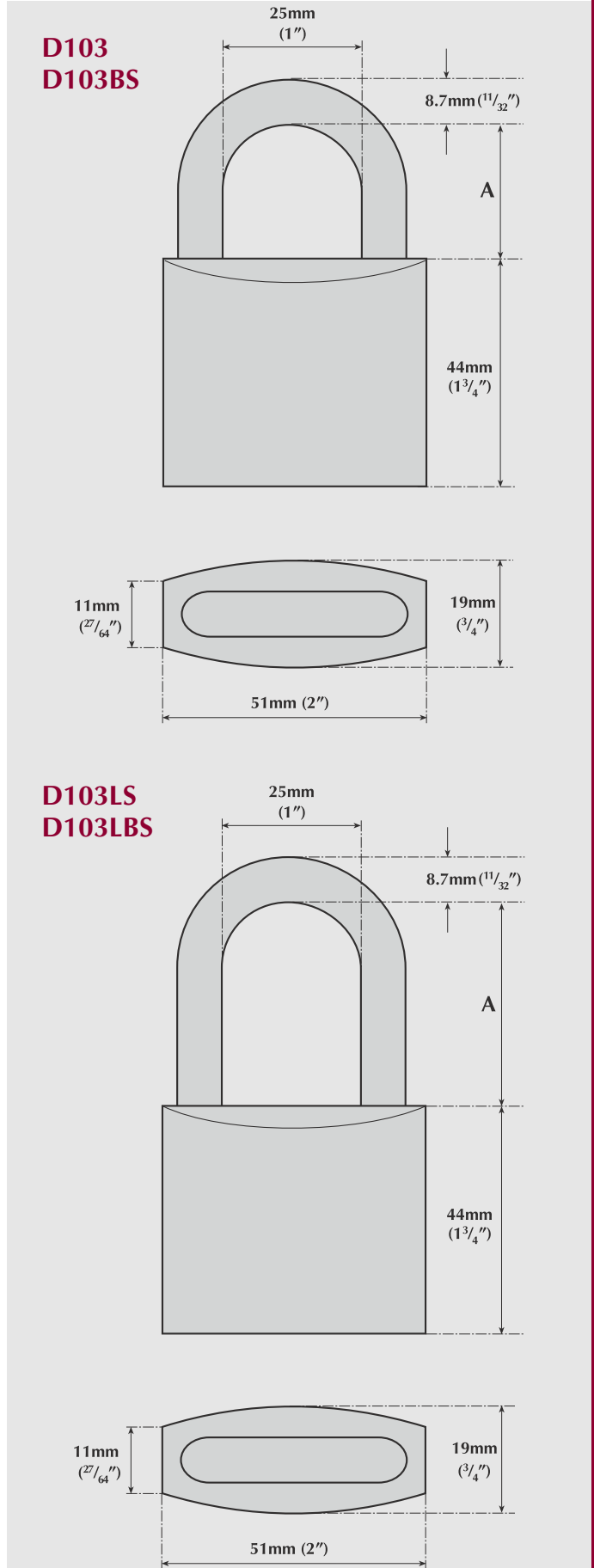
D103 & variants B & G warded padlocks



- Action:** Single locking shackle, spring opening and closing.
- Body:** Brass. Finished polished and lacquered. May be colour coded to special order. Also available with 3mm x 21mm link chain finished zinc plated and attached by stirrup. Other sizes and finishes of chain available.
- Mechanism:** Wards.
- Keys:** Steel, zinc plated. Two supplied.
- Differs:** Standard 144. May be supplied to differ or keyed alike to pass the same key.
- Master Keying:** May be supplied to differ in suites to be operated by their own individual servant keys and by an overriding master key . (suffix pattern numbers MD)

REF:	Size	Shackle Material	Vertical Shackle Clearance (A)
D103 ▲	51mm (2")	Steel (CH)	25mm (1")
D103LS ●	51mm (2")	Steel (CH)	32mm (1 1/4")
D103LS ●	51mm (2")	Steel (CH)	38mm (1 1/2")
D103LS ●	51mm (2")	Steel (CH)	51mm (2")
D103LS ●▲	51mm (2")	Steel (CH)	64mm (2 1/2")
D103LS ●	51mm (2")	Steel (CH)	75mm (3")
D103LS ●	51mm (2")	Steel (CH)	100mm (4")
D103BS ▲	51mm (2")	Brass	25mm (1")
D103LBS ●	51mm (2")	Brass	32mm (1 1/4")
D103LBS ●	51mm (2")	Brass	38mm (1 1/2")
D103LBS ●	51mm (2")	Brass	51mm (2")
D103LBS ●▲	51mm (2")	Brass	64mm (2 1/2")

▲ Denotes standard item ● Please specify shackle clearance.
Other shackle clearances manufactured to suit individual requirements. Please enquire. (CH) — Chrome Plated.

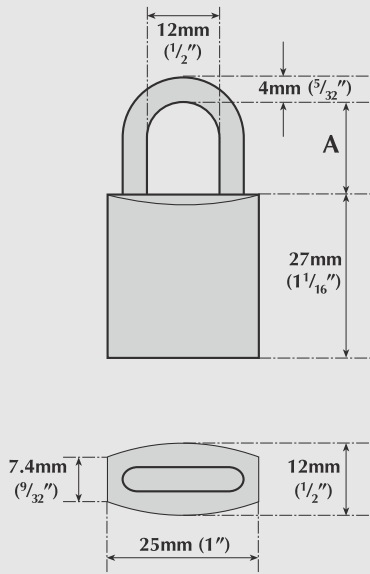


D103 B & G WARDDED PADLOCKS

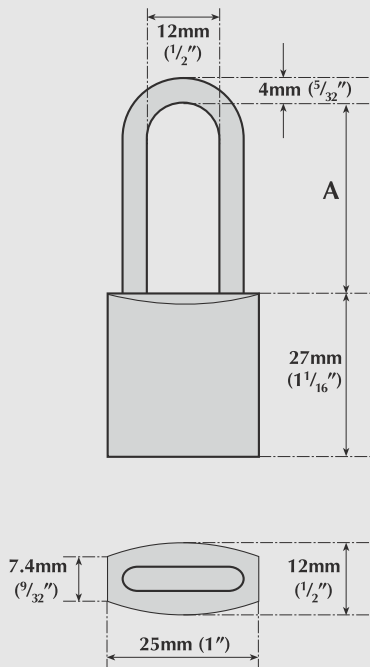


D104 & variants B & G warded padlocks

D104 D104BS



D104LS D104LBS



- Action:** Single locking shackle, spring opening and closing
- Body:** Brass. Finished polished and lacquered. May be colour coded to special order. Also available with 3mm x 21mm link chain finished zinc plated and attached by stirrup. Other sizes and finishes of chain available.
- Mechanism:** Wards.
- Keys:** Steel, zinc plated. Two supplied.
- Differs:** Standard 12. May be supplied to differ or keyed alike to pass the same key.
- Master** Not available.
- Keying:**

REF:	Size	Shackle Material	Vertical Shackle Clearance (A)
D104 ▲	25mm (1")	Steel (ZP)	15mm (5/8")
D104LS ●	25mm (1")	Steel (ZP)	25mm (1")
D104LS ●	25mm (1")	Steel (ZP)	32mm (1 1/4")
D104LS ●	25mm (1")	Steel (ZP)	38mm (1 1/2")
D104LS ●▲	25mm (1")	Steel (ZP)	51mm (2")
D104LS ●	25mm (1")	Steel (ZP)	64mm (2 1/2")
D104BS ▲	25mm (1")	Brass	15mm (5/8")
D104LBS ●	25mm (1")	Brass	25mm (1")
D104LBS ●	25mm (1")	Brass	32mm (1 1/4")
D104LBS ●	25mm (1")	Brass	38mm (1 1/2")
D104LBS ●▲	25mm (1")	Brass	51mm (2")
D104LBS ●	25mm (1")	Brass	64mm (2 1/2")

▲ Denotes standard item ● Please specify shackle clearance.
Other shackle clearances manufactured to suit individual requirements. Please enquire. (ZP) — Zinc Plated.

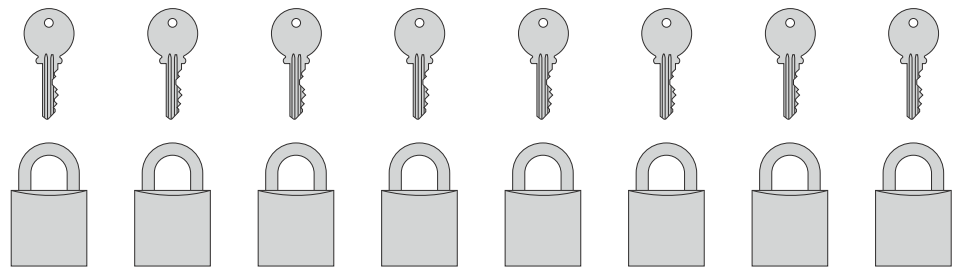


Master Keying

Key control of our pin tumbler cylinder padlocks are available keyed to operate in the following ways:

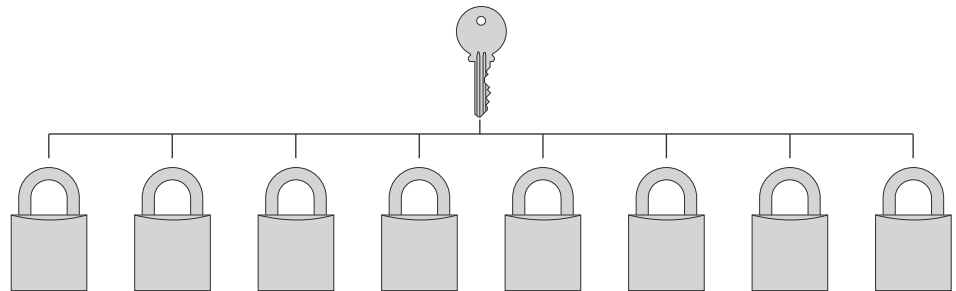
TO DIFFER

Locks are operable by their own servant keys only



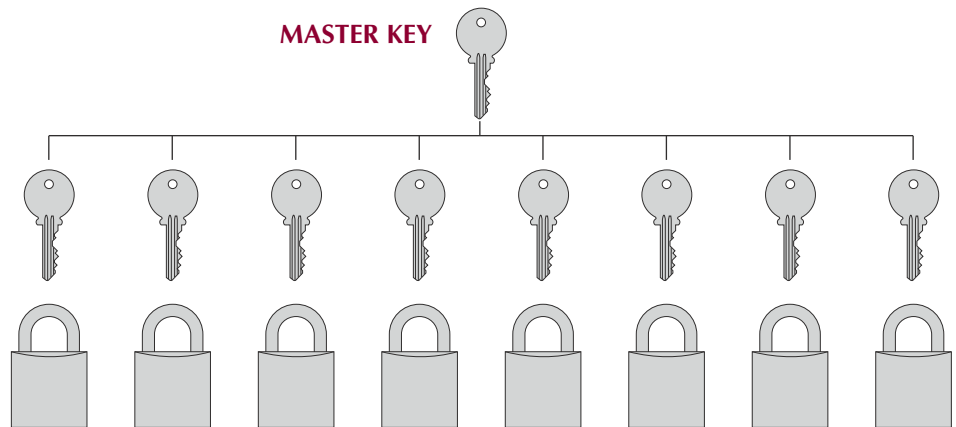
TO PASS (keyed alike)

All locks are operable by the same servant key



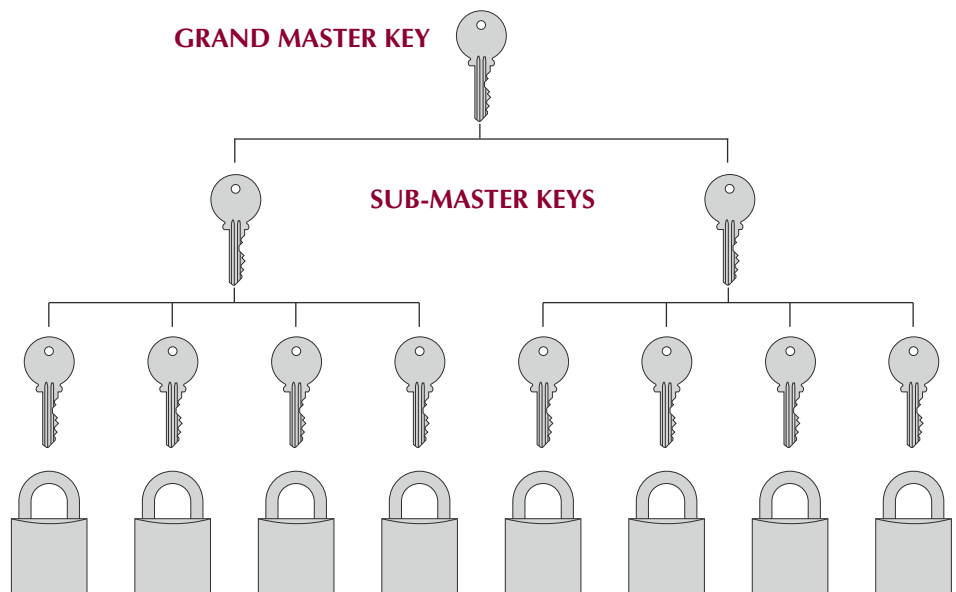
MASTER KEYED

All locks are operable by their own individual servant key and by the master key



GRAND MASTER KEYED

All locks are operable by their own individual servant key, by their designated sub-master key and by the grand master key



High security and combination padlocks

Combination padlocks illustrated below are supplied with a 4 wheel resettable combination offering keyless convenience with 1000s of possible combinations.

Brass body (51mm wide), suitable for outdoor use plus an 8mm diameter hardened steel shackle.

Shackle clearance of 25mm code **RB50**

Shackle clearance of 51mm code **RB52**



Above left: Code **FD740** Sold Secure key retaining deadlocking padlock.

Hardened steel lock body 70mm wide, with a re-keyable six pin cylinder.

12mm diameter Molybdenum/steel shackle with a 27mm clearance, suitable for use with hardened steel chain illustrated opposite.

Stainless steel ball locking system and black E-plating for best rust resistance.

Above right: Code **FD860P** stainless steel protected shackle padlock for extra security.

Stainless steel lock body 63mm wide, with a re-keyable six pin cylinder.

10mm diameter stainless steel shackle with a 27mm clearance, suitable for use with hasp and staple illustrated opposite.



Associated security products

Gold finished through hardened steel security chain 16mm diameter in plastic sleeve.
Maximum resistance to cutting or cropping and zinc plated for weather resistance.
Ideal for use in conjunction with Sold Secure key retaining deadlocking padlock opposite.

Available in 4 lengths: 1 metre **THC16/1**
1.5 metre **THC16/1.5**
2 metre **THC16/2**
10 metre **THC16/10**

(for lengths other than those specified above,
there is a cutting charge, please enquire.



Above: Safety lockout code **FDLO80** protects against accidents for teams or individuals working on a machine controlled by a remote switchbox. The device effectively locks the box or valve by up to 6 different padlocks

Right: Solid stainless steel hasp and staple code **FD701SS** for best strength and resistance to corrosion. Supplied complete with coach bolts and screws and ideal for use in conjunction with stainless steel protected shackle padlock opposite.



Colour coded padlocks



Padlocks with chains



Non-standard shackles





B & G LOCK & TOOL CO. LTD.

Chapel Green

Willenhall

West Midlands WV13 1RD

Tel: 01902 605946 / 630290

Fax: 01902 633794

e-mail: sales@bgpadlocks.co.uk

www.bgpadlocks.co.uk

